



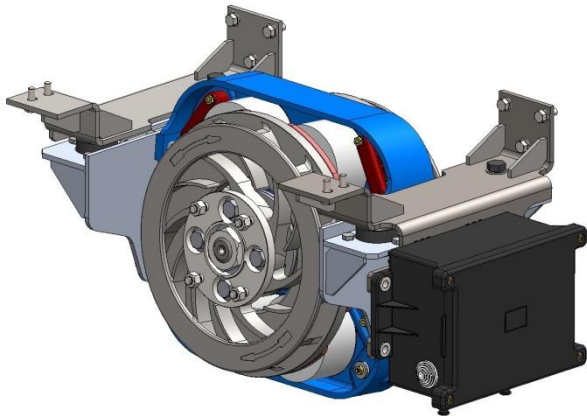
Produced by
Industrias Zelu, s.L.

We slow you down

Presentation

MB SPRINTER 906/907 WITH BR9

KLAM retarder K40C





Produced by
Industrias Zelu, S.L.

We slow you down

2.¿Why install a KLAM retarder in your Sprinter?

- ✓ **Improve and comply**
 - Safety of passengers
 - Greater comfort of passage
- ✓ **Reduce !**
 - Brake distance
 - Premature wear of your brake discs
 - Time of the journey
 - Environmental impact
- ✓ **Enjoy !**
 - Relaxed trip and without stress
 - Smooth and quiet driving



Reduction of wear
saves money



Improve the safety of the
vehicle and the passengers.



Environmental friendly



Produced by
Industrias Zelu, s.L.

We slow you down

3. Why Klam Retarder?

✓ **Reduced installation cost !**

- The kit is supplied with the propshaft adapted and ready to be installed.
- The kit is supplied pre-installed in its electrical/electronic part.
- No modification of the propshaft required.

✓ **Enjoy!**

- Total equipment compatibility
- Free maintenance
- Full integration with EBS, ABS, ESP and CANBUS



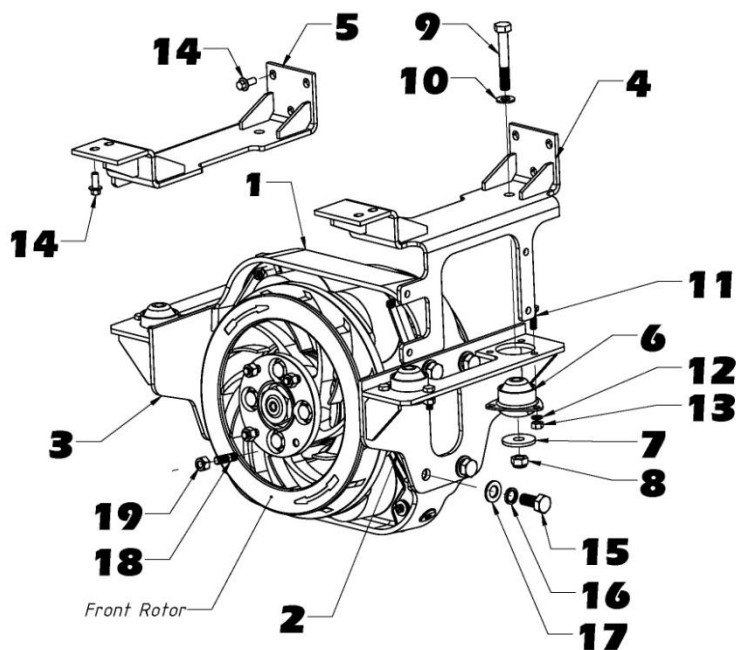
**Electromagnetic
compatibility test
pass.**



Produced by
Industrias Zelu, S.L.

We slow you down

4. Design of KLAM K40 retarder



40276-Installation kit K-40 in Mercedes
Sprinter 906 with BR9
40276-Kit de instalacion K-40 en Mercedes
Sprinter 906 con BR9

Pos.	Description / Designación	Ref.	Qty. / Cant.	Torque (Nm) ±5%
1	K-40 (12v) Sprinter w.flanges 132/4-10 version	40275	1	
2	Left retarder bracket - Soporte Ralentizador Izdo.	4.1373	1	
3	Right retarder bracket-Soporte Ralentizador Dcho.	4.1374	1	
4	Left Chassis bracket-Soporte Chasis Izdo	4.1368	1	
5	Right Chassis bracket-Soporte Chasis Dcho	4.1369	1	
6	Silentblock SC-10	42001	4	
7	Washer-Arandela base silentblock D13-44 esp 4	2134.40	4	
8	Nut-Tuerca DIN980V M12(x1.75) Clase 10	4.12172	4	84,3
9	Screw-Tornillo DIN 931 M12(x1.75) L-80 clase 8.8	212170803	4	84,3
10	Washer-Arandela Plana DIN 125 D13-24 esp 2.5	213240	4	
11	Screw-Tornillo DIN 933 M8(x1.25) L-25 Clase 8.8	308120253	12	24,5
12	Washer-Arandela Grower DIN127 A8-14.8 esp 2	308150	12	
13	Nut-Tuerca DIN 934 M8(x1.25) Clase 8	108123	12	24,5
14	Screw-Tornillo DIN1665 M8(x1.25) L-20 Clase 10.9	808125202	10	18-22
15	Screw-Tornillo DIN933 M14(X2,0)X30 Clase 8,8	314.200303	8	125-138
16	Washer-Arandela Grower DIN 127 D15-24	315240	8	
17	Washer-Arandela Plana DIN 125 D15-28	215280	8	
18	Bolt-Esparrago M10(x1.5) L-45	15009	8	**
19	Nut-Tuerca autob. DIN 980V M10(x1.5) clase 10	4.10150	8	67

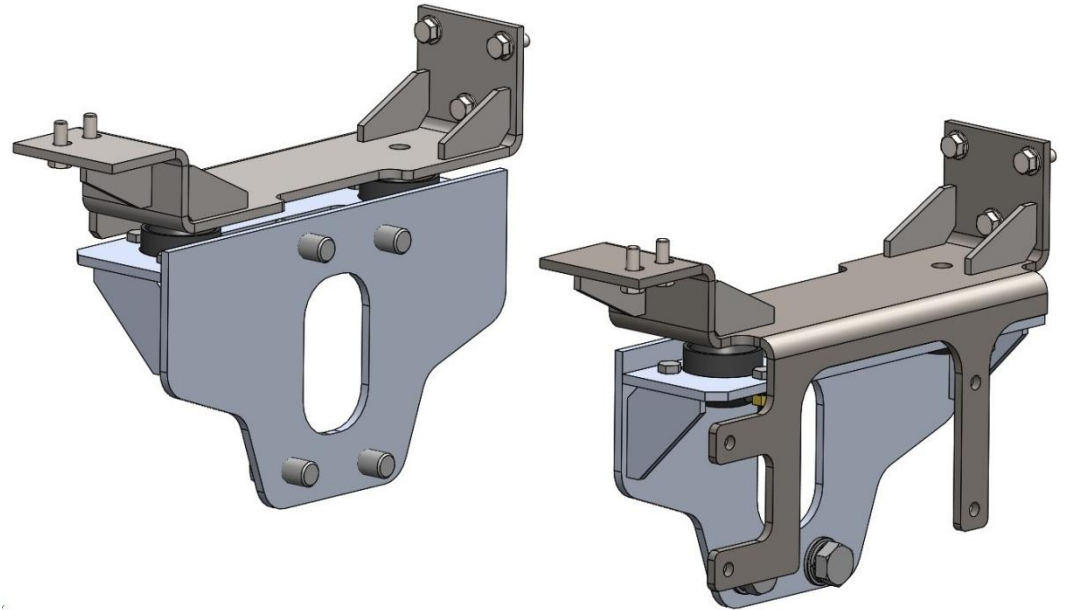
** Add Loctite 270



Produced by
Industrias Zelu, s.l.

We slow you down

5.- Kit components

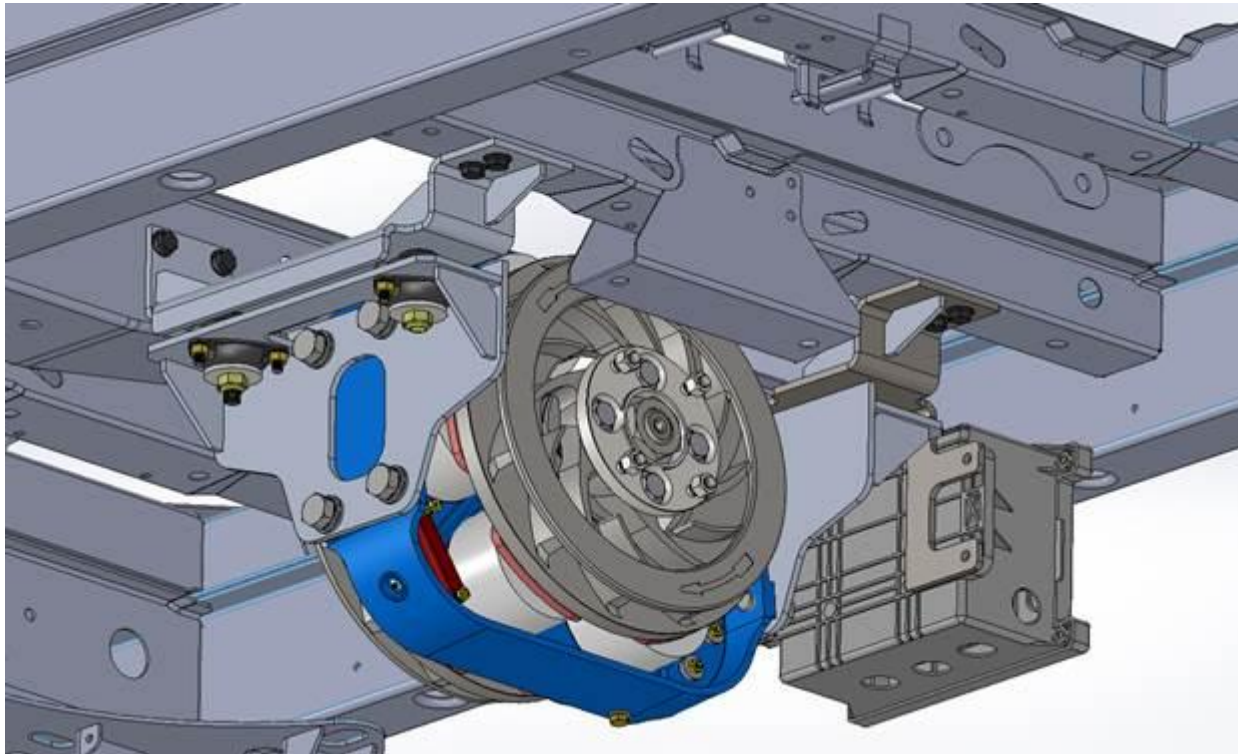




Produced by
Industrias Zelu, s.L.

We slow you down

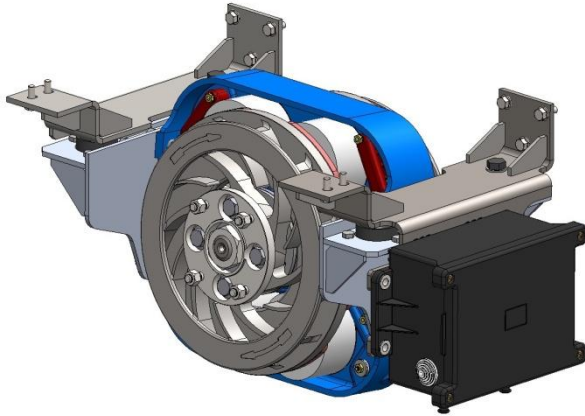
6. Installation of KLAM K40 C retarder





Produced by
Industrias Zelu, s.L.

We slow you down



A PERFECT TEAM!!

November 2019

**Retarder Technology by Industrias Zelu, S.L.
manufactured and designed in Spain**

© Zelu Spain



Produced by
Industrias Zelu, s.L.

We slow you down

8. Contact us

Industrias Zelu S.L.

Ctra, Irún, 6.5 KM

E 31194, Arre (Navarra), Spain

Tel: ++ 34 948 331101 Fax: ++ 34 948 331151

E-mail: industrias@zelusl.com

www.zelusl.com



Reduction of wear
saves money



Improve the safety of the
vehicle and the passengers.



Enviromental friendly

This information is provided on a confidential basis and may not be reproduced or used in any way without the express written consent of INDUSTRIAS ZELU S.L. additional copies will be provided on request.